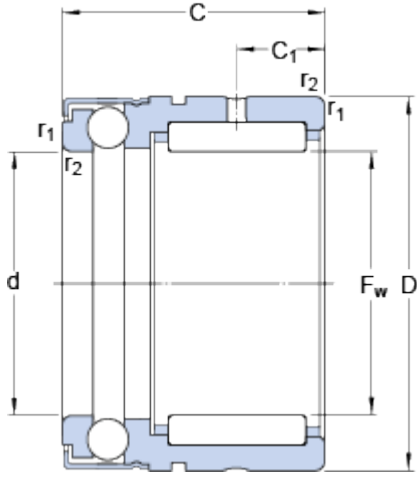


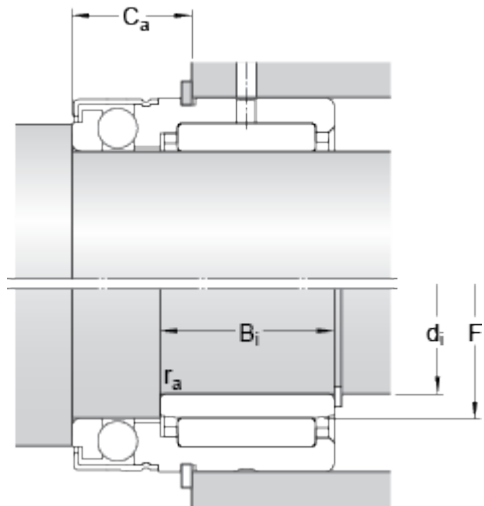
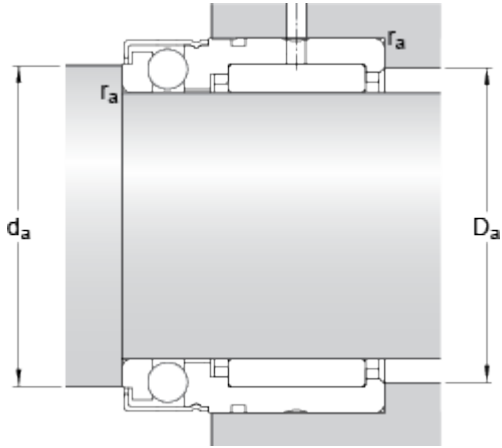
NX 25 Z

Dimensions



F_w		25	mm
D		37	mm
C		30	mm
C_1		8	mm
d		25	mm
$r_{1,2}$	min.	0.3	mm

Abutment dimensions



d_a	min.	31.6	mm
D_a	max.	35	mm
C_a		14.2	mm
r_a	max.	0.3	mm
d_i		20	mm
F		25	mm
B_i		16	mm

Calculation data

Basic dynamic load rating, radial direction	C	15.1	kN
Basic static load rating, radial direction	C_0	24.5	kN
Basic dynamic load rating, axial direction	C	12.4	kN

Basic static load rating, axial direction	C_0	28.5	kN
Fatigue load limit, radial direction	P_u	2.9	kN
Fatigue load limit, axial direction	P_u	1.1	kN
Minimum axial load factor	A	4.2	
Reference speed		5600	r/min
Limiting speed		3800	r/min

Mass

Mass bearing		0.115	kg
--------------	--	-------	----

Appropriate products

Inner ring		IR 20x25x16 IS1
Snap ring		SW 37